

# SFF152-T

Semi-Jacquard Type Flat Knitting Machine

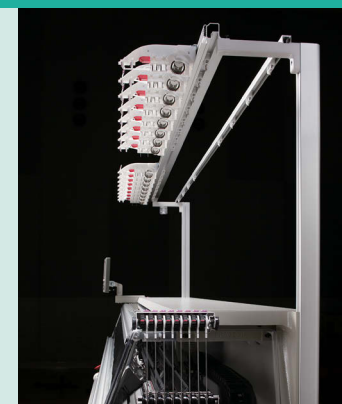
## FLEXIBLE PRODUCTIVITY FOR A FULL RANGE OF KNITTING

The SFF152-T specialty machine is based directly on technology derived from our best-selling computerized flat knitting machines. The compact and space-saving SFF152-T specializes in such applications as plain, rib and tubular knits in panels as well as accessory parts such as collars, plackets and pockets. The SFF152-T features a twin-carriage configuration complete with transfer capability, and is a cost-effective solution for supplementing production with specialty items.



An Easy-to-Read User-Friendly LCD Controller

SHIMA SEIKI R&D philosophy centers around optimum interface between user and machine. All software control of SFF152-T is performed via a new control panel featuring a monochromatic LCD monitor with an improved graphic interface for intuitive operation. The eye-level display offers improved ergonomics, while menu-interactive function buttons offer easy input and editing. A USB interface is also positioned directly below the control monitor for improved access in data exchange.



Improved Quality Control with Top Tensions and Side Rollers

When knots are detected during knitting, the top tension automatically slows down or stops machine operation according to the situation. SFF152-T also features side rollers which supplement the takedown roller by adding required tension to the edges of the fabric in both horizontal and vertical directions. This assures more even takedown and prevents the fabric from bowing at the edges. In addition, a new brake disk system features adjustment dials for maintaining consistent braking tension. Together, the top tension device and side rollers serve as effective quality control devices.

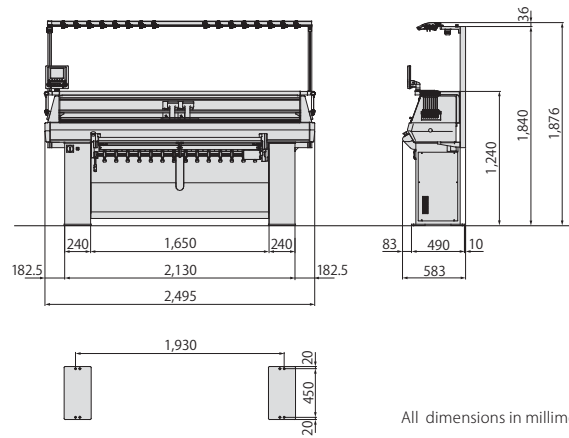


Tandem Capability for 2-System or 2x1-System Operation

The SFF152-T features twin carriages, each with a single-system cam setup. While both carriages can be used together along the entire width of the needle bed for knitting wide panels in double-system mode, the carriages can be separated into two single systems for knitting two identical pieces simultaneously. Tandem operation capability thereby allows the machine to perform two separate roles, significantly increasing the versatility and flexibility of the machine.



## SFF152-T DIMENSIONS



All dimensions in millimeters.

### Average Weight

SFF152-T 550kg (1,210 lbs.)

Actual weight is dependent upon gauge and optional equipment.

## SPECIFICATIONS

Type	SFF152-T
Gauge	8 · 10 · 12 · 14 · 16 · 18
Knitting width	Variable stroke, max 60" (152cm)
Tandem width	Max 27" (69cm) × 2
Knitting speed	Max 1.2m/sec. Knitting speed varies according to yarn, gauge and other knitting conditions. Speed can be programmed for 3 separate categories.
Stitch density	15 levels, electronically controlled
Racking	Motor-driven. 1/2 pitch to the left and 1 pitch to the right.
Knitting system	Single cam system, twin carriage
Transfer	Back-to-front transfer to the right. Front-to-back transfer to the left.
Takedown device	Changeable 3 levels, automatically adjustable on each level.
Side roller	Changeable 3 levels, automatically adjustable on each level <sup>1</sup> .
Side tension	8 on each side. Brake disk with multi-step adjustable dials. Both sides standard.
Yarn carriers	8 normal carriers
Top tension	16 units. One-touch easy threading. Large knots cause machine stop. Small knots cause 0-9 courses at specified knot detection speed, then automatically resume at set speed.
Stop motion	Yarn break, large knot, fabric pileup, shock detection, piece count, over-torque, program error etc.
Drive system	Belt-drive. AC servo motor. No lubrication necessary.
Cleaner	Special blower operated cleaner
Safety devices	Full safety cover for noise-suppression and dust-proofing with stop motion sensor and interlock mechanism. Emergency stop switch. Emergency power off device. Ultra-low speed "crawl" setting. CE Mark. Operation lamp (see below).
Operation lamp	Green/normal operation. Flashing green/normal stop. Flashing amber/abnormal stop.
CONTROLLER	
Data input	USB memory interface
Control unit	Built-in controller. Stored program for flat knitting machine.
Control display	Monochrome LCD panel. Editing possible via display panel operation. Available in English.
Power	Single phase AC220V/230V (200V-250V) 1.2kVA (0.5-0.7kW: Power consumption varies according to gauge and knitting condition)

OPTION: (1) Side roller (take-up for two pieces)

*your choice*  
**SHIMA SEIKI**

### SHIMA SEIKI MFG., LTD.

85 Sakata Wakayama, 641-8511 JAPAN  
TEL +81-73-474-8210 FAX +81-73-474-8270

[www.shimaseiki.com](http://www.shimaseiki.com)

Website



Global Network



## Fully Fashioned High-Speed Knitting Machine

**ISO14001 Certification:** SHIMA SEIKI Headquarters is certified as an ISO14001 accredited company.

SHIMA SEIKI is either a registered trademark or trademark of SHIMA SEIKI MFG., LTD. in Japan and/or other countries. SHIMA SEIKI maintains a policy of continuous improvement for its products, and therefore specifications and appearances are subject to change without notice. Please contact your nearest authorized sales representative for the latest information.



**SAFETY NOTICE** In order to ensure safe operation of the equipment, please review all operation manuals carefully before use.